

# INSTALLATION INSTRUCTIONS AND HOLE CUTTING TEMPLATE



**Bathroom Heater/Exhaust Fan**  
240V~ 50Hz 610W T IPX2, 2x 275W Heat Lamps  
VBHE-2L

## IMPORTANT INSTALLATION, USER & WARRANTY INSTRUCTIONS

Please read these instructions carefully before installing and using the appliance. Keep the instructions handy for future reference.

**IMPORTANT:** This appliance does not come with a cord or a plug. It must be installed in accordance with national and local council building regulations, and the Australian and New Zealand wiring rules AS/NZS 3000 latest edition thereof.

**ALL ELECTRICAL WORK MUST BE CARRIED OUT BY A LICENSED ELECTRICAL CONTRACTOR OR ELECTRICIAN.**

**CAUTION:** The appliance should not be installed directly above a bath, shower or fixed water container. The appliance must not be installed in a position where water may splash onto the appliance.

**PLEASE READ ALL INSTRUCTIONS CAREFULLY BEFORE USING THE APPLIANCE.**

## GENERAL SAFETY WARNINGS

To reduce the risk of fire, electrical shock or injury to persons or property:

1. Use this appliance only as described in this manual. Any other use not recommended by Voltex Electrical may cause fire, electric shock, or injury to persons and void the warranty. If you have questions, please contact Voltex Electrical at first.
2. Always operate the appliance from a power source of the same rated voltage, frequency and power input as indicated on the appliance identification plate.
3. This appliance is intended for household use and similar applications only. It is not suitable for use in an environment heavily laden with dust.
4. This appliance is not intended for use by persons (including children) with reduced physical, sensory or mental capabilities, or lack of experience and knowledge, unless they have been given supervision or instruction concerning use of the appliance by a person responsible for their safety. Children should be supervised to ensure that they do not play with the appliance.
5. Do not operate any appliance that malfunctions, or is dropped or appears damaged in any way.
6. There are no user-serviceable parts inside the appliance. Contact your local electrician if servicing or maintenance is required.
7. This appliance is designed for indoor use only.
8. Do not allow any foreign object to enter through the fascia opening or the rear of the appliance as this may damage the appliance and/or the user.

9. **WARNING:** The appliance shall, under no circumstances, be covered with insulating material or similar material.
10. Make sure that the power is OFF before installation.
11. Do not locate the appliance immediately below a socket-outlet. When cutting into the mounting surface, do not damage electrical wiring and other hidden utilities.
12. The appliance must be properly connected to the protective earthing conductor in the installation wiring of the installation.
13. **WARNING:** Curtains and other combustible material may ignite if in contact with the appliance or if the appliance is installed too close.
14. Precautions must be taken to avoid the back-flow of gases into the room from the open flue of gas or other fuel-burning appliances.
15. **FOR SAFE USE OF THIS APPLIANCE, AFTER INSTALLATION, DISCONNECTION OF THE APPLIANCE FROM THE SUPPLY SHALL BE POSSIBLE. THIS MAY BE ACHIEVED BY HAVING THE PLUG ACCESSIBLE OR MEANS FOR ALL POLE DISCONNECTION MUST BE INCORPORATED IN THE FIXED WIRING IN ACCORDANCE WITH THE WIRING RULES.**

## IMPORTANT CONSIDERATIONS BEFORE INSTALLING

A few minutes planning can make a big difference to the installation time and to your satisfaction with the function of the appliance.

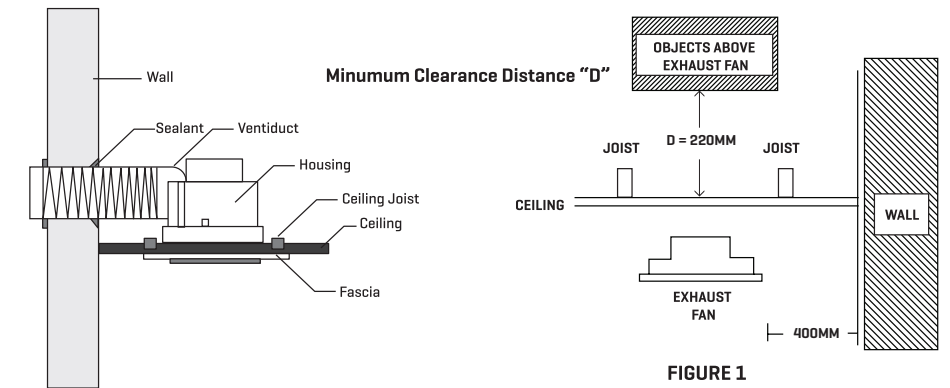
- 1) This product is IPX2. It should not be installed directly above a shower or a bath where it could come into contact with water.
- 2) For the exhaust fan to work efficiently, replacement air of a volume equivalent to what is being extracted must be able to enter the room. In general, this air would be drawn under the door, or through a slightly open window. If the room is airtight, the fan will function poorly.
- 3) This appliance is designed for installation in flat ceilings ONLY. Do not mount it on a sloping ceiling or a vertical wall.
- 4) Before commencing any cutting, check that there are no obstructions such as ceiling joists and that there is sufficient height clearance for the housing and routing of the duct. Check that the electrical wiring can be routed from the wall switches to the mounting location.
- 5) This product has been designed for use on ceilings between 2.4 and 2.7m in height and must be installed with the lowest point at least 2.1m above the floor. The InfraRed lamps are not designed to heat the entire room area, they provide instant heat to persons standing directly below them. Install above the area where 'drying off' usually occurs.

## INSTALLATION

- 1) Locate in accordance with the requirements of the wiring rules relating to damp situations. National and local council regulations concerning the discharge of air must also be fulfilled.
- 2) Disassemble the unit before installation. Unscrew the heat lamps, and unfasten the fascia-retaining springs inside the housing. Unplug the LED at the connector and remove the fascia.
- 3) Choose a suitable mounting location in the ceiling. Mark the ceiling with a

pencil outline 430mm x 250mm, using this card as a marking template and cut out a hole in the ceiling [it may be safer to mark the position from above the ceiling where obstructions are clearly visible, rather than from inside the room].

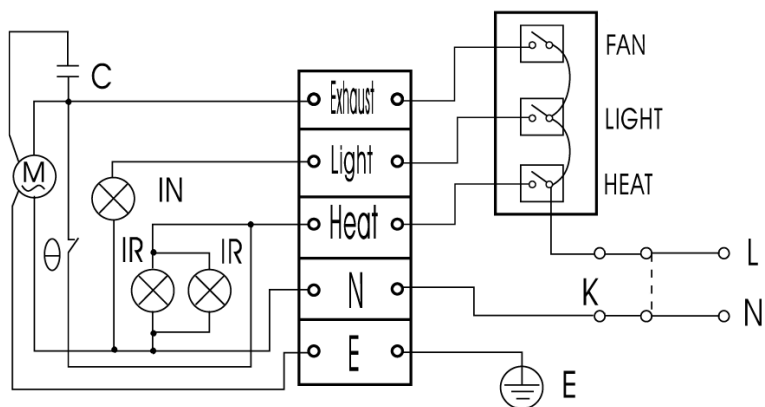
- 4) Make sure a distance between the edges and wall is no less than 400mm. There should be a minimum of 220mm from the ceiling to any objects above, and make sure a minimum distance of 1m is maintained between the appliance and any illuminated flammable materials.



**CAUTION:** Ensure that the intended hole will have suitable room to locate the unit and that it will not interfere with joists or the ceiling structure. Joists, beams and rafters shall not be cut or notched to install the appliance.

- 5) Insert the unit into the hole, ensuring that the side springs are pulled inwards so that the unit can pass through the hole, without damaging the plaster. Secure the unit to the ceiling using the supplied screws.
- 6) Plug in the downlight, reattach the springs to hold the fascia in place, and screw in the heat lamps.
- 7) For installation where external venting is required, locate a suitable location to vent out the exhausted air and cut out the hole. Put one end of a Ø125mm flexible duct into the vent hole and seal space around the hole using a suitable sealant and cawling where necessary. Keep the ducting as straight as possible to maximise the performance of the fan.
- 8) Wire the unit as shown in the figure below, ensuring compliance with AS/NZS wiring rules. Fixed wiring insulation must be protected (e.g. by insulating sleeve)

# INSTALLATION INSTRUCTIONS AND HOLE CUTTING TEMPLATE



**NOTE:** This unit is fitted with a thermostat switch which will operate to automatically switch the exhaust fan on, in the event that the heat globes are left on, and the internal temperature of the unit exceeds 90°C.

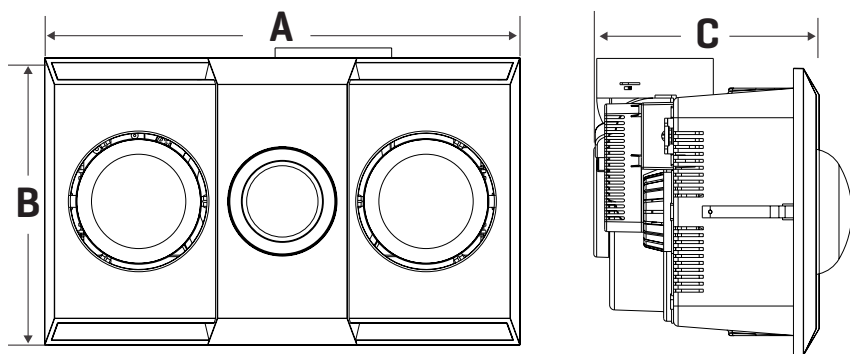
Switches and other controls must not be located where they can be touched by a person in the bath or shower.

Clean the fascia and globes with a soft damp cloth before switching the unit on and testing all functionality.

This appliance comes with a tri-colour LED downlight. The colour can be changed between 3000K, 4200K and 6500K via the switch located on the back of the light.

Dimensions

Model	A [mm]	B [mm]	C [mm]	Air flow [m <sup>3</sup> /h]
VBHE-2L	480	290	200	300*



\* Measured to ISO 5801 international testing standard.

## CARE INSTRUCTIONS

Regular cleaning of the fan is recommended. To clean the appliance:

**WARNING:** Ensure the appliance is switched off from the mains power supply first, and allow unit to cool to room temperature. Ensure the globes are cool before handling.

- 1) Remove the fascia from the body and clean using a damp cloth with water and mild detergent.
- 2) The inner housing may be cleaned with a dry cloth or with a vacuum cleaner with suitable brush attachment.
- 3) The lamps may be cleaned with liquid glass cleaner.

**CAUTION:** To prevent damage to the appliance do not use alkaline cleaning agents or solvents when cleaning.

## REPLACEMENT LAMPS

Ensure lamps are screwed well in after replacement to give good electrical contact.

Clean all heat lamps ensuring no finger prints or oil residues are left on them after insertion to prolong the lamp life.

**CAUTION:** Replacement with any other lamps other than those listed below may cause damage to the appliance and void the warranty.

Infra-red clear front type, 2x E27, Max 275W

## WARRANTY & SERVICE

Voltex warrants all its exhaust fans against defective workmanship and faulty materials excluding heat lamps, for 3 years from the original date of purchase. Please retain proof of purchase and electrical certificate of compliance.

Contact Voltex Electrical on 1300 722 275 [Australia] or 0800 55 66 33 [New Zealand] for any warranty claims.

## Voltex Electrical

Australia  
[www.voltexelectrical.com.au](http://www.voltexelectrical.com.au)  
 P: 1300 722 275 E: sales@voltexelectrical.com.au

New Zealand  
[www.voltexelectrical.co.nz](http://www.voltexelectrical.co.nz)  
 P: 0800 55 66 33 E: sales@voltexelectrical.co.nz



© Voltex Electrical 2019. All Rights Reserved.

11220120